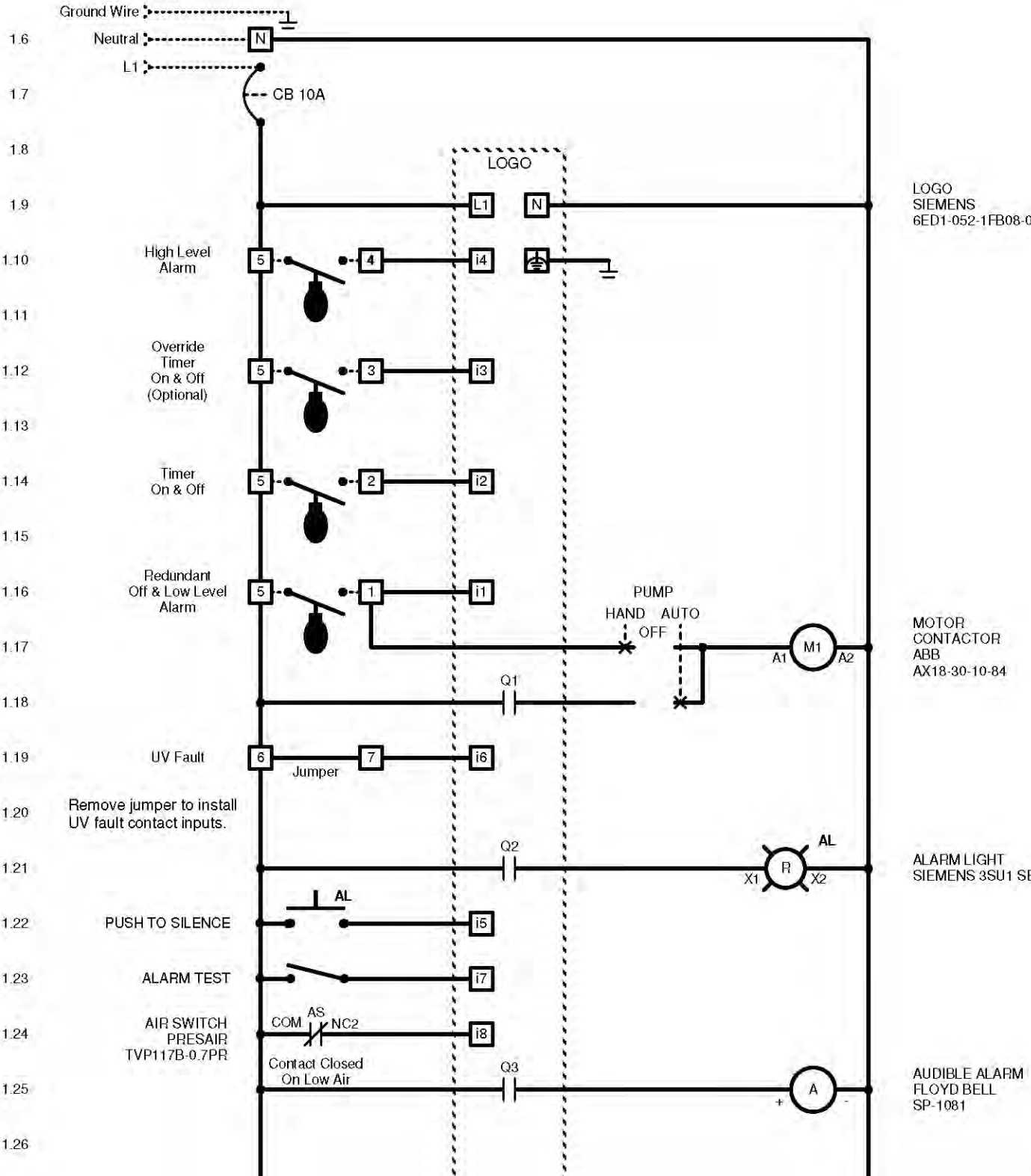
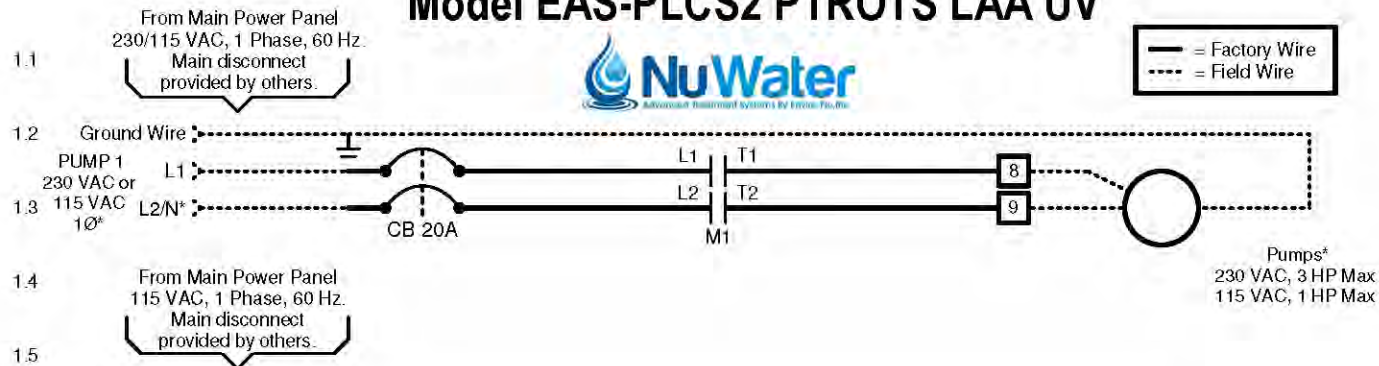


Control Panel Wiring Diagram

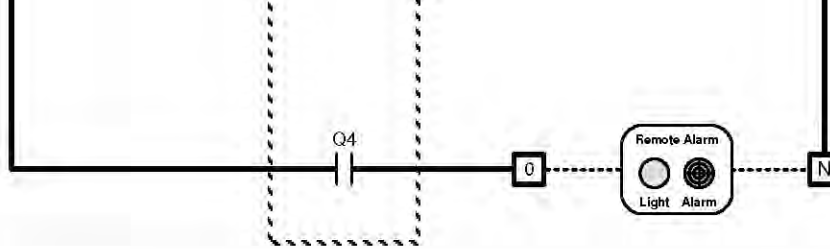
Model EAS-PLCS2 PTROTS LAA UV



— = Factory Wire
 - - - = Field Wire

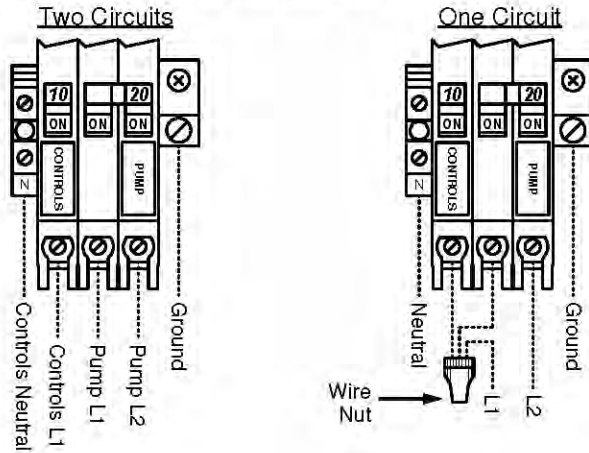


2.1
2.2
2.3
2.4
2.5
2.6
2.7
2.8
2.9
2.10
2.11
2.12
2.13
2.14
2.15
2.16
2.17
2.18
2.19
2.20
2.21
2.22
2.23
2.24
2.25
2.26
2.27



REMOTE ALARM
(AHW OR EQUIV.
115 VAC ALARM)

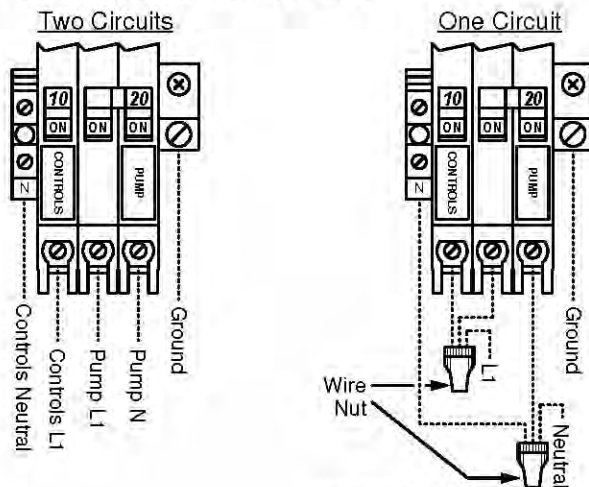
***Power Wiring Options: 230 VAC Pump**



Factory default.
Wire as shown.

Use a wire nut to connect the first pole of the pump circuit breaker together with the controls breaker and the incoming L1 power line.

***Power Wiring Options: 115 VAC Pump**



Factory default.
Wire as shown.

Use one wire nut to connect the first pole of the pump circuit breaker together with the controls breaker and the incoming L1 power line. Use another wire nut to connect the second pole of the pump circuit breaker with the controls neutral and the incoming neutral line.

