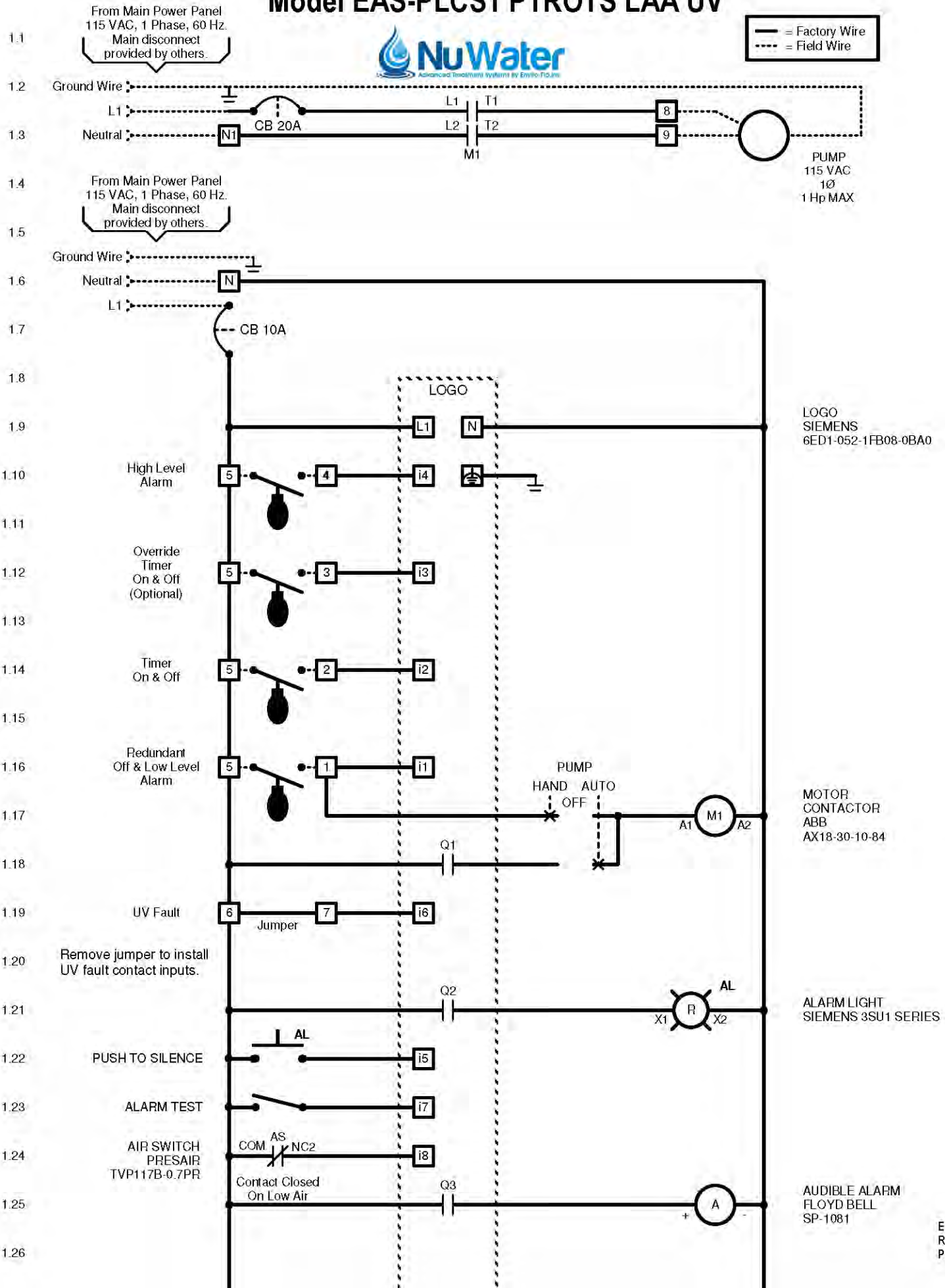


Control Panel Wiring Diagram

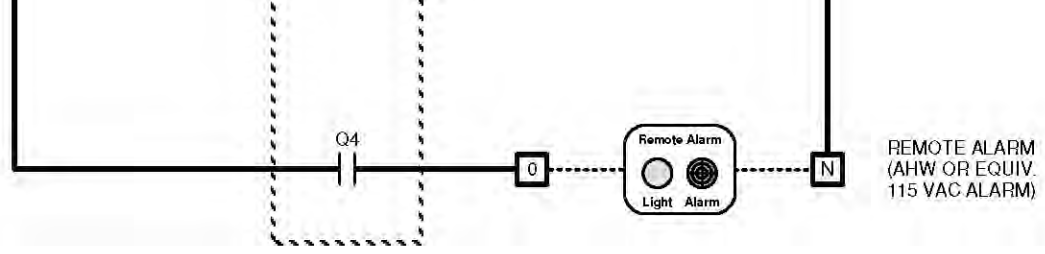
Model EAS-PLCS1 PTROTS LAA UV



— = Factory Wire
 - - - = Field Wire



2.1
2.2
2.3
2.4
2.5
2.6
2.7
2.8
2.9
2.10
2.11
2.12
2.13
2.14
2.15
2.16
2.17
2.18
2.19
2.20
2.21
2.22
2.23
2.24
2.25
2.26
2.27



REMOTE ALARM
(AHW OR EQUIV.
115 VAC ALARM)

