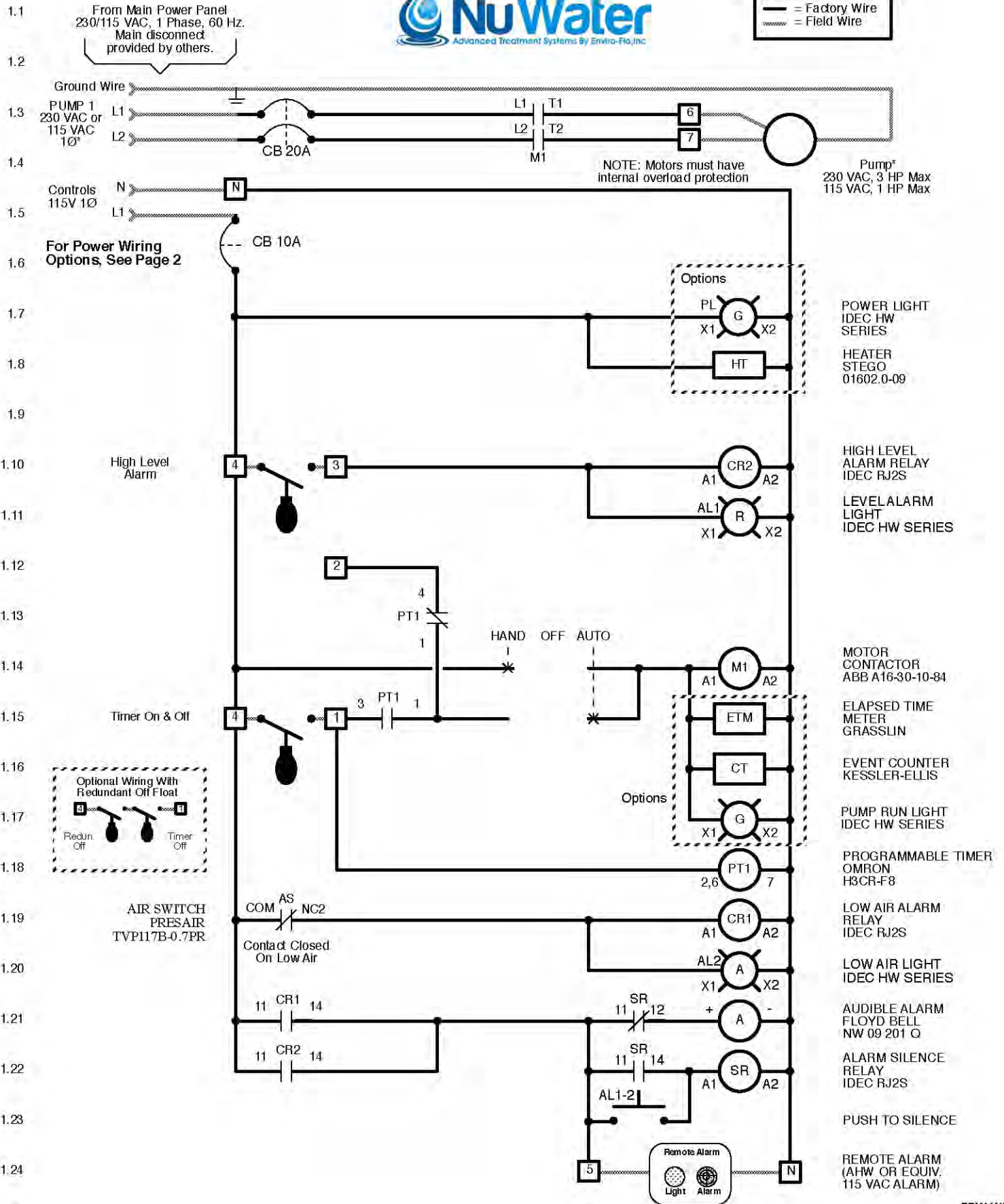
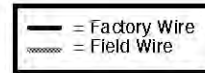
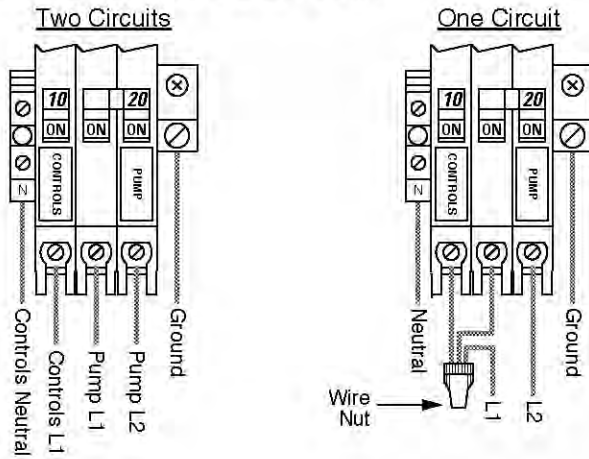


Panel Wiring Diagram Model EAS-S2 PT LAA



***Power Wiring Options: 230 VAC Pump**



Factory default.
Wire as shown.

Use a wire nut to connect the first pole of the pump circuit breaker together with the controls breaker and the incoming L1 power line.

Simplex Operation

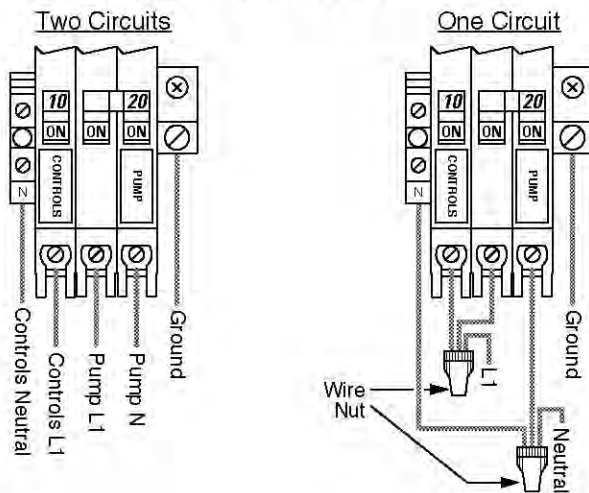
High Level Alarm: This float activates the alarm light and audible alarm when lifted. The audible alarm may be silenced by pressing the illuminated PUSH TO SILENCE button on the front of the control panel. The high level alarm light will remain on until the float is lowered.

Timer On & Off: This float turns off the programmable timer when lowered. When this float is lifted the timer will be restarted. Note: The timer will start with its off cycle.

Programmable Timer: The timer turns the pump on and off in a pre-set cycle. Note: The timer will start with its off cycle.

Low Air Alarm: The air monitoring switch activates the alarm light and audible alarm when low air pressure is detected. The audible alarm may be silenced by pressing the illuminated PUSH TO SILENCE button on the front of the control panel. The low air alarm light will remain on until the condition is corrected.

***Power Wiring Options: 115 VAC Pump**



Factory default.
Wire as shown.

Use one wire nut to connect the first pole of the pump circuit breaker together with the controls breaker and the incoming L1 power line. Use another wire nut to connect the second pole of the pump circuit breaker with the controls neutral and the incoming neutral line.

